

SATCOM RECEIVER

LNB

Ka Dual-band Auto Ref LNB

RD9000A-O3b

**TYPICAL SPECIFICATIONS**

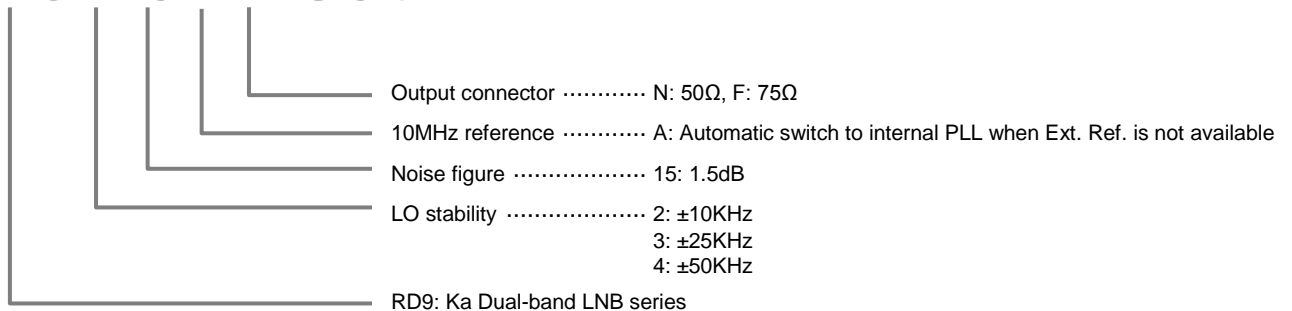
Noise figure	1.5dB max	Spurious	
LO stability	±10, ±25, ±50 KHz in PLL	In-band	-60dBc max @-10dBm
Phase noise	-60dBc/Hz @100Hz -70dBc/Hz @1KHz -80dBc/Hz @10KHz	Out-band	-50dBc max @-10dBm (Including Harmonics)
Input VSWR	2.2 : 1	LO leakage (Input)	-50dBm max
Output VSWR	2.0 : 1	Image rejection	40dBc min
Conversion gain	58dB typ	Switching voltage	+13V (Band-1), +18V (Band-2)
Gain flatness	±2dB max	DC voltage / current	+12 to +19 V / 350mA
Output P1dB	+5dBm min	Input waveguide	WR-42
IP3	+15dBm min	Output connector	N-female, F-female
External reference	10MHz, -5 to +5 dBm	Dimension	114(L) x 70(W) x 39(H) mm
RF input level	-30dBm max	Weight	500g
		Operating temperature	-40 to 60°C

FREQUENCY BANDS AVAILABLE

	Band-1 (O3b-A)	Band-2 (O3b-B)
RF freq. (GHz)	17.852 - 18.588	18.372 - 19.3
LO freq. (GHz)	16.8	17.4
IF freq. (MHz)	1052 - 1788	972 - 1900

HOW TO ORDER Ka DUAL-BAND AUTO REF LNB

RD9215AN-O3b



SATCOM RECEIVER

OUTLINE DRAWING

