

SATCOM RECEIVER

LNB

Ku Quad-band PLL LNB

M-RQ1000I



TYPICAL SPECIFICATIONS

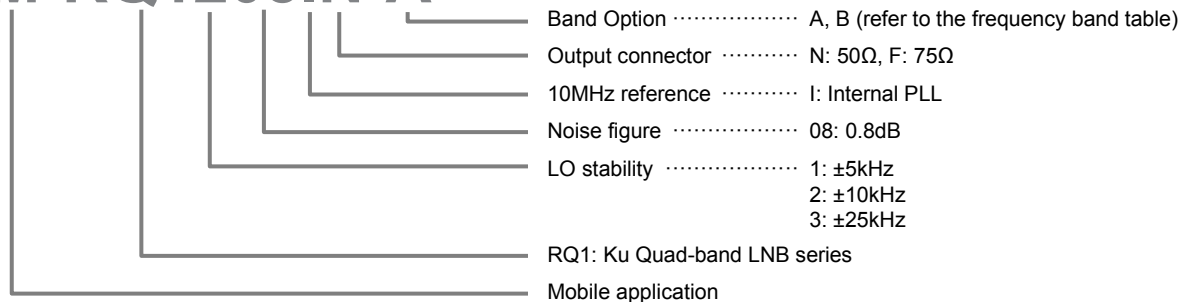
Noise figure	0.8dB typ @+23°C	Image rejection	Option A	Option B
LO stability	±5KHz, ±10KHz, ±25KHz	Band 1:	40dBc min	40dBc min
Phase noise	-73dBc/Hz @1KHz -78dBc/Hz @10KHz -100dBc/Hz @100KHz -110dBc/Hz @1MHz	Band 2:	40dBc min	20dBc min
Input VSWR	2.2 : 1	Band 3:	20dBc min	10dBc min
Output VSWR	2.0 : 1	Band 4:	10dBc min	40dBc min
Gain	63dB typ	LO leakage (Input)	-60dBm max	
Gain flatness	±1.5 dB max in each band	Switching voltage	Band 1: +13V Band 2: +13V / 22KHz Tone Band 3: +18V Band 4: +18V / 22KHz Tone	
Output P1dB	+15dBm min	Tone condition	Frequency: 22KHz ±4KHz Amp: 0.6 ±0.2 V Duty Cycle: 50%±10%	
IP3	+25dBm min	DC voltage / current	+12 to 19 V / 350mA	
RF input level	-30dBm max	Input waveguide	WR-75	
Spurious		Output connector	N-female, F-female	
Signal related	-50dBc max @-10dBm	Dimension	103(L) x 54(W) x 40(H) mm	
Power supply related	-50dBc max @-10dBm	Weight	360g	
Harmonics	-30dBc max @-10dBm	Operating temperature	-40 to 60°C	

FREQUENCY BANDS

	Option A				Option B			
	Band-1	Band-2	Band-3	Band-4	Band-1	Band-2	Band-3	Band-4
RF freq. (GHz)	10.70 - 11.70	10.95 - 11.70	11.70 - 12.75	12.25 - 12.75	10.95 - 11.70	11.70 - 12.75	12.25 - 12.75	10.70 - 11.70
LO freq. (GHz)	9.75	10.00	10.75	11.30	10.00	10.75	11.30	9.75
IF freq. (MHz)	950 - 1950	950 - 1700	950 - 2000	950 - 1450	950 - 1700	950 - 2000	950 - 1450	950 - 1950

HOW TO ORDER Ku QUAD-BAND PLL LNB

M-RQ1208IN-A



SATCOM RECEIVER

OUTLINE DRAWING

